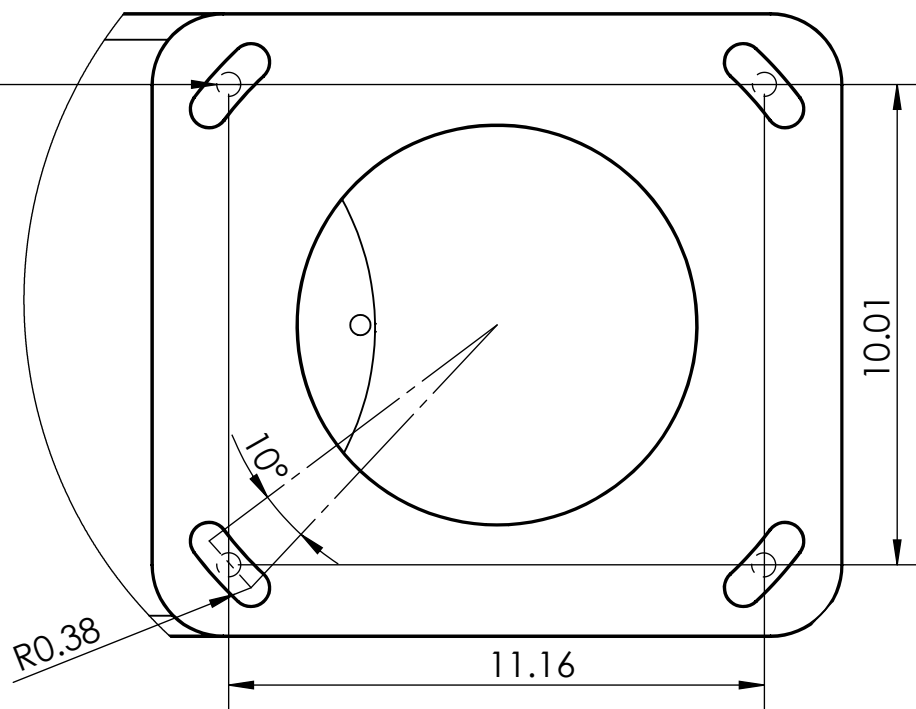


This hole pattern accepts the Taurus 400 wedge.  
Note: arrow points to celestial pole.

**DETAIL A**  
SCALE 1 : 4

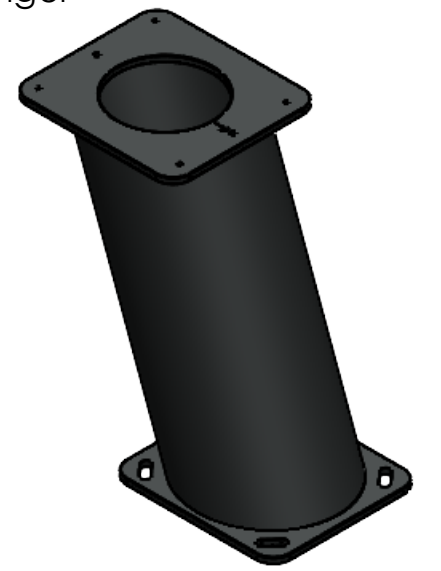
4X  $\phi$  .33  $\nabla$  .88  
3/8-24 UNF  $\nabla$  .75

$\phi$  0.50  
bolts with washers  
for mounting



This side bolted to ground. Longer  
dimension (11.16) should be  
north/south. Slots provide  
+/- 5 degrees of adjustment

**DETAIL B**  
SCALE 1 : 4



PROPRIETARY AND CONFIDENTIAL

Stock Size	
Surface Area	in <sup>2</sup>
Weight	lbs
Anodize	
No Per Mount	

DIMENSIONS ARE IN INCHES  
TOLERANCES:  
THREE PLACE DECIMAL  
 $\pm$

MATERIAL  
FINISH

DO NOT SCALE DRAWING

Software Bisque

Part Number:	
Part Name: <b>Taurus 400 Pier</b>	
SIZE <b>A</b>	DWG. NO. Rev

Date last edited: 11/11/2021

SHEET 2 OF 2